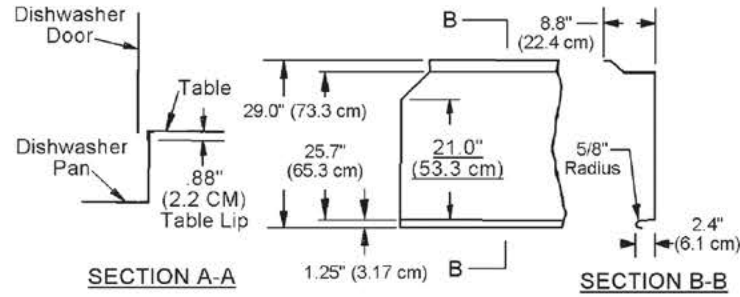
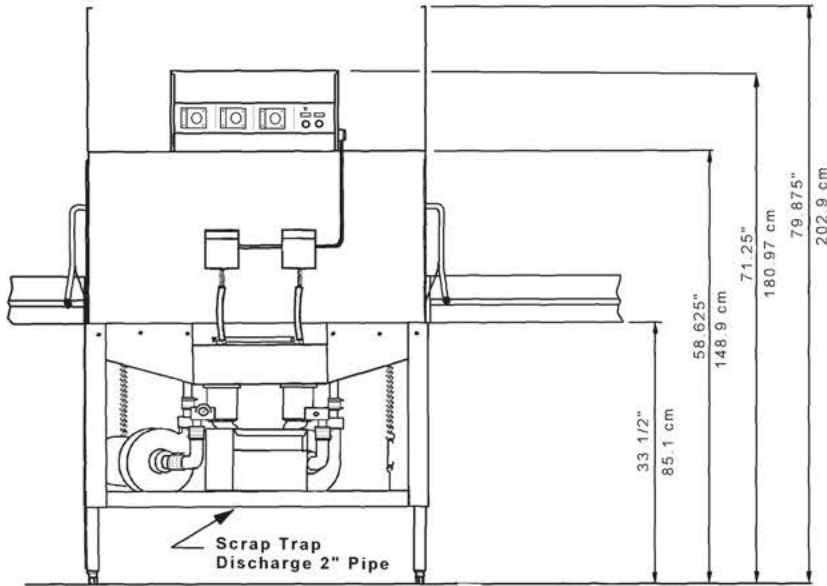


TOP VIEW



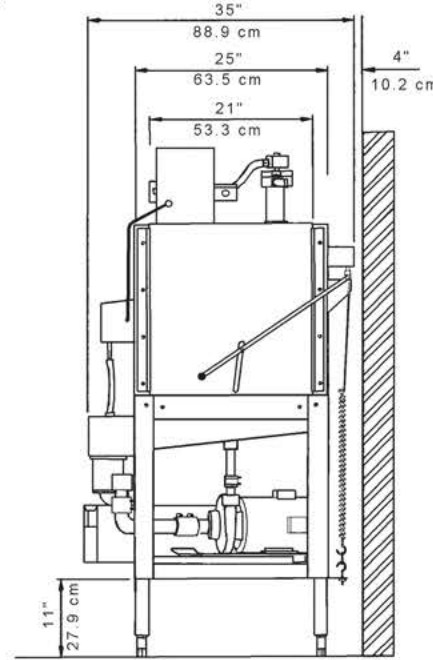
TOP VIEW
TYPICAL TABLE DETAILS

CAUTION:
Electrical and plumbing connections should be made by a qualified Service Person who will comply with all available federal, state, and local Health, Electrical, Plumbing, and Safety codes.



FRONT VIEW

*Manufacturer reserves the right to modify these specifications in compliance with regulatory agencies and manufacturing expediency



SIDE VIEW



A System of Service.



www.TERMAC.com

1.800.332.4912

Model 5AG-S Specifications

	Models		
	5AGS	5S	5AHS
RATED CAPACITY (Racks Per Hour)	74	56	46
WASH TIME (Sec.)	45	60	75
RINSE TIME (Sec.)	30	45	60
DWELL (Sec.)	15	15	15
TOTAL CYCLE TIME (Sec.)	90	120	150
WASH TANK CAPACITY (Min.)	3.2 Gallons 12.1 Liters		
WATER TEMPERATURE	120 Deg. F Min. 49 Deg. C Min.		
WATER CONSUMPTION	3.2 Gallons Per Cycle 12.1 Liters Per Cycle		
MOTOR (2)	1.5 HP 1.125 KW		
ELECTRICAL RATINGS	115 Volts Single Phase 26 Amps		
Connect to two Supply Sources Using 12-10 AWG Copper Wire. Circuit Protection: 20 Amp Circuit Breaker or Fuse with a 20 Amp Rating.			
OR			
Connect to Single Supply Source Using 8-6 AWG Copper Wire suitable for at least 75 Deg. C (167 Deg. F). Circuit Protection: 40 Amp Circuit Breaker or Fuse with a 40 Amp Rating.			
RACK SIZE (2)	19 3/4" x 19 3/4" 50.2 x 50.2 cm		
DOOR CLEARANCE	20 1/2" x 21" 52.07 x 53 cm		
WATER INLET	3/4" FPT		
DRAIN (Scrap Trap)	2" Pipe		
HEIGHT (Doors Open)	79.875"		
HEIGHT (Doors Closed)	71.25"		
WIDTH (Overall)	49"		
DEPTH (Overall)	124.5 cm 34"		
SHIPPING WEIGHT	86.4 cm 408 lbs. 185 kg		
SHIPPING VOLUME (Uncrated)	64.16 cu ft. 1.82 cu m		