



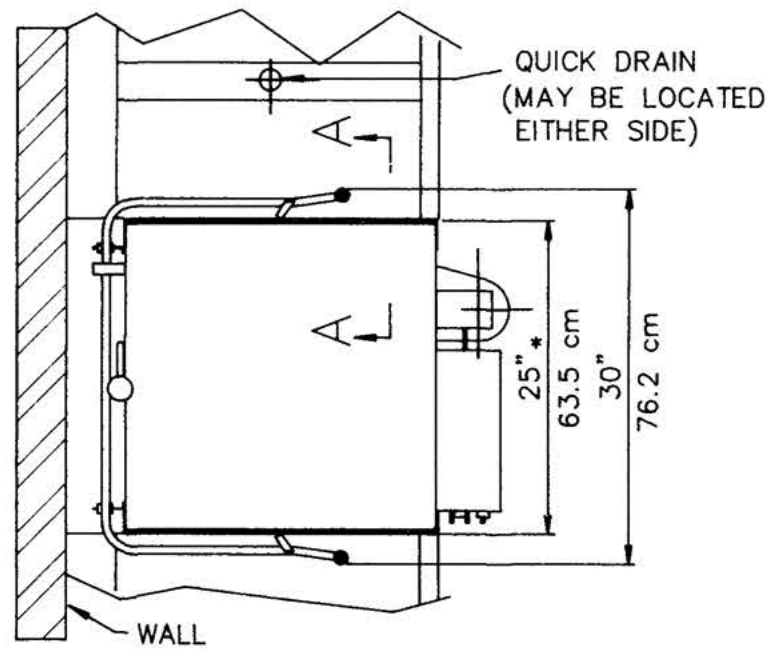
A System of Service.



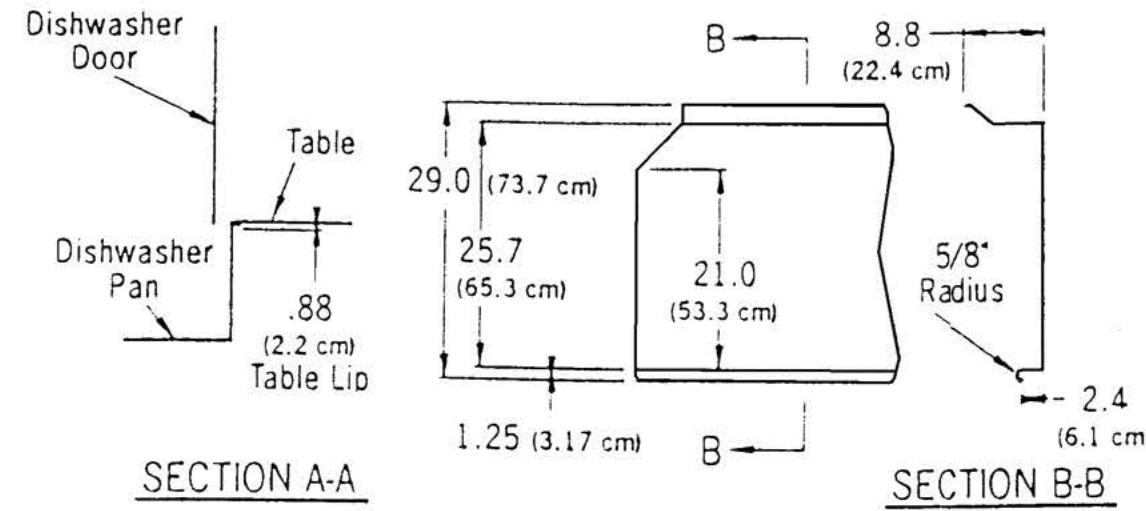
www.TERMAC.com

1.800.332.4912

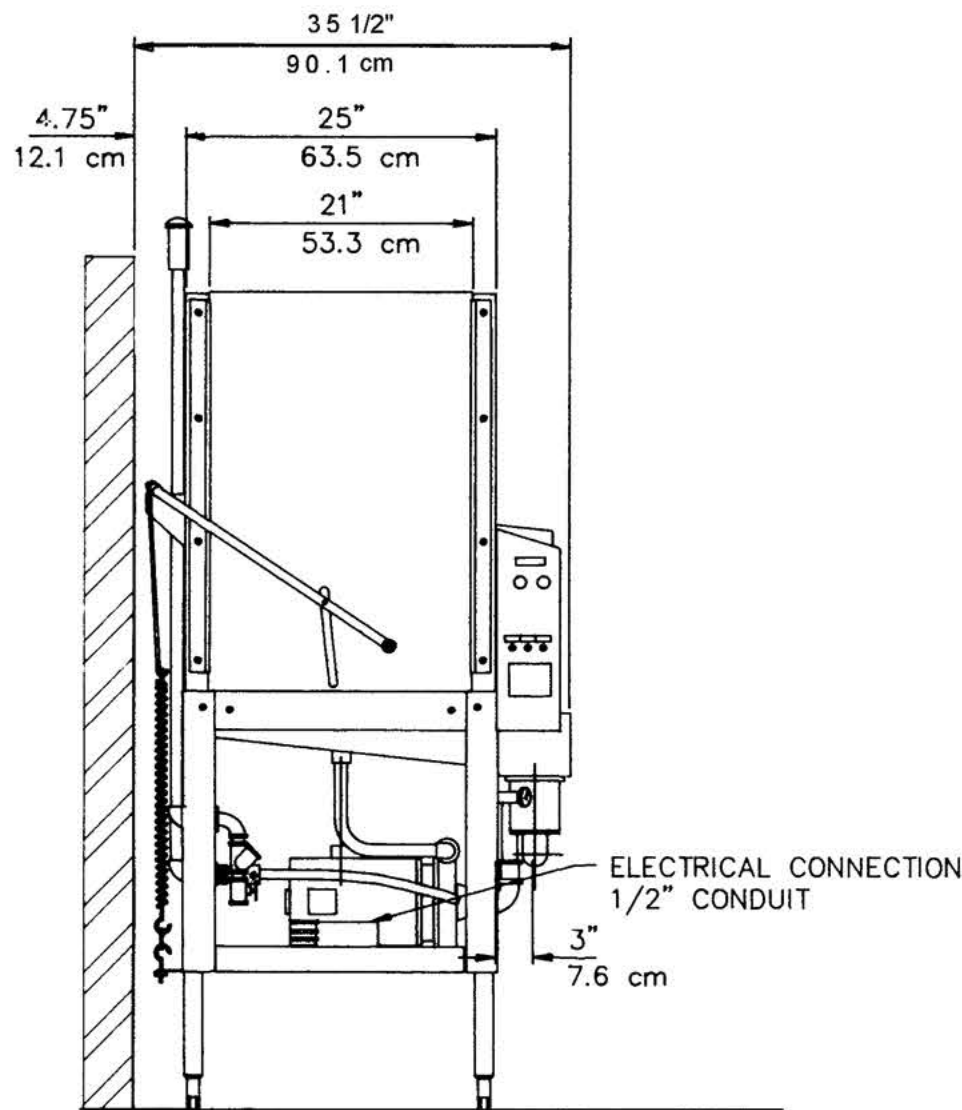
# MODEL AF-B SPECIFICATIONS



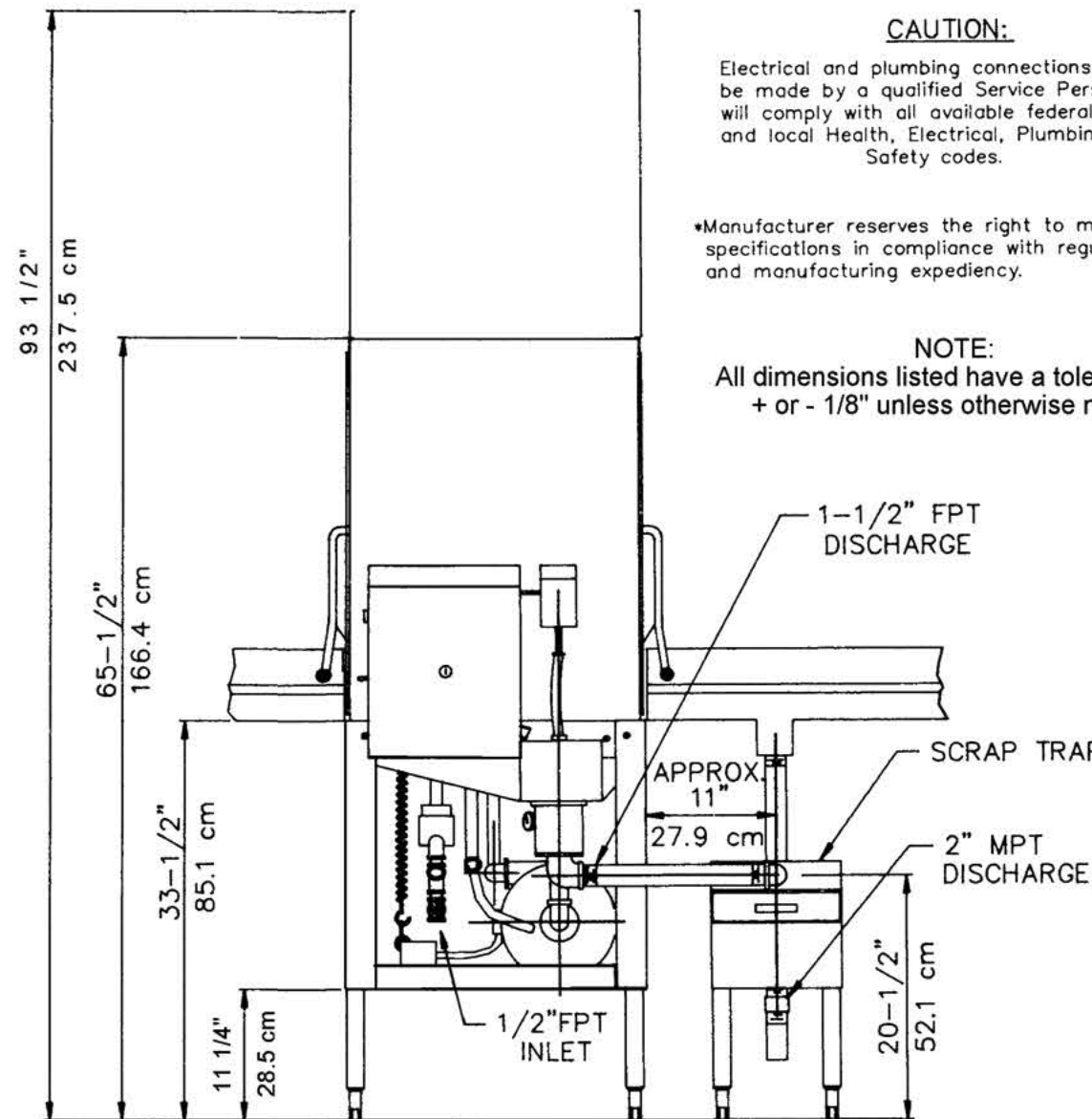
TOP VIEW



TOP VIEW  
RECOMMENDED TABLE DETAILS



SIDE VIEW



FRONT VIEW

**CAUTION:**

Electrical and plumbing connections must be made by a qualified Service Person who will comply with all available federal, state, and local Health, Electrical, Plumbing, and Safety codes.

\*Manufacturer reserves the right to modify these specifications in compliance with regulatory agencies and manufacturing expediency.

**NOTE:**

All dimensions listed have a tolerance of + or - 1/8" unless otherwise noted.

**FAMILY MODELS**

	AF-B	A-B	AH-B
<b>RATED CAPACITY</b> (Racks/Hr.)	37	28	23
<b>WASH TIME</b> (Sec.)	45	60	75
<b>RINSE TIME</b> (Sec.)	30	45	60
<b>DWELL</b> (Sec.)	15	15	15
<b>TOTAL CYCLE TIME</b> (Sec.)	90	120	150

<b>WATER TEMPERATURE</b>	130 F Min. 54.4 C Min.
<b>WATER CONSUMPTION</b>	2.5 Gal's Per Cycle 8.33 Liters Per Cycle
<b>MOTOR</b>	1.5 HP 1.125 KW
<b>ELECTRICAL RATINGS</b>	115 Volts Single Phase

Connect to Supply Source using 10-12 AWG copper wires. Circuit Protection: 20 AMP Circuit Breaker or Fuse with a 20 AMP Rating.

<b>RACK SIZE</b>	19 3/4" x 19 3/4" 50.2 cm x 50.2 cm
<b>DOOR CLEARANCE</b>	27 1/2" x 21" 69.8 cm x 53 cm
<b>WATER INLET DRAIN</b>	1/2" F.P.T. 1 1/2" F.P.T.
<b>HEIGHT (Door Open)</b>	93 1/2" 237.5 cm
<b>HEIGHT (Door Closed)</b>	65 1/2" 166.3 cm
<b>WIDTH (Overall)</b>	30" 76.2 cm
<b>WIDTH (Table to Table)</b>	25" 63.5 cm
<b>DEPTH (Overall)</b>	34 1/2" 87.6 cm
<b>SHIPPING WEIGHT</b>	301 lb. 136.5 kg.
<b>SHIPPING VOLUME</b>	55.4 cu. ft.